



Project name:		Type
Catalog number:		
Location:		
Date:		
Comments:		

PD11-DALILINK-FLAT-FC

ORDERING INFORMATION

Product Code	Description	Color	Part Number
PD11-DALILINK-FLAT-FC	RATIO FLAT Master Controller/Multi-Sensor, PIR/Daylight, Recessed, 16 VDC	White	93068



TOP FEATURES

- RATIO Master controller with daylight and PIR motion sensing
- One sensor model that performs a wide range of selectable functions
- Aesthetic, virtually flush ceiling profile with excellent performance
- Spring clips for quick and easy installation
- Accessory Snap-on trim rings available in standard and custom colors, or for field painting

DESCRIPTION

The RATIO FLAT multi-sensor is the centerpiece of the RATIO architectural dimming and scene control solution. The virtually flush footprint resolves the aesthetic compromises posed by traditional dome-shaped surface mount sensors and lenses. The flat lens and trim ring does not sacrifice significant performance due to its patented lens design, still delivering superior 360-degree detection coverage and excellent range. The combination of passive Infrared (PIR) motion detection and photosensor and robust set of functions in RATIO, remotely programmable via our iOS or Android Bluetooth smartphone app, make it a complete occupancy detection and daylighting room control solution.

The RATIO FLAT can function as a multi-sensor master controller, a photosensor only, or a range-extending secondary occupancy sensor only. This enables only one part number that can be programmed to suit any application or evolve with the requirements of a changing space. Accessories such as color, round and square trim rings, and flush mounting sets are available also to complete the design aesthetics with RATIO FLAT. Masking blinds are included for limiting detection angles, and a clamping mounting collar is included designed for in-fixture installation.

OPERATION

RATIO delivers robust and dynamic digital lighting control. Up to 16 scenes and 16 groups can be created with motion sensing and daylight harvesting, or keep it simple and just operate raise/lower and on/off in "broadcast" mode out of the box. If you're not sure or the needs of the space changes, you can simply reprogram it via the smartphone app.

Simply install the light fixtures and RATIO controls, download the smartphone app, and then pair the phone with the push button module. Test the lights with a push button and if all is well, run through the wizards to complete the desired configuration. Don't worry about individual addresses; just scroll through the device list and assign them to groups and set scene levels. Sensors can be configured as motion, daylight, or both with various modes for auto-on/off, partial-on/off, or manual -on. Push button inputs can be configured to perform a variety of functions via a short press and long press. Relay modules are opened and closed by recalling scene levels 100% or 0, or toggle on/off commands.

Please refer to the installation instruction/manual for a detailed description of functions and operation.

APPLICATIONS

- Conference Rooms
- Private Offices
- Media Rooms
- Lecture Halls
- Hotel Ballrooms and Meeting Rooms

PRODUCT INFORMATION

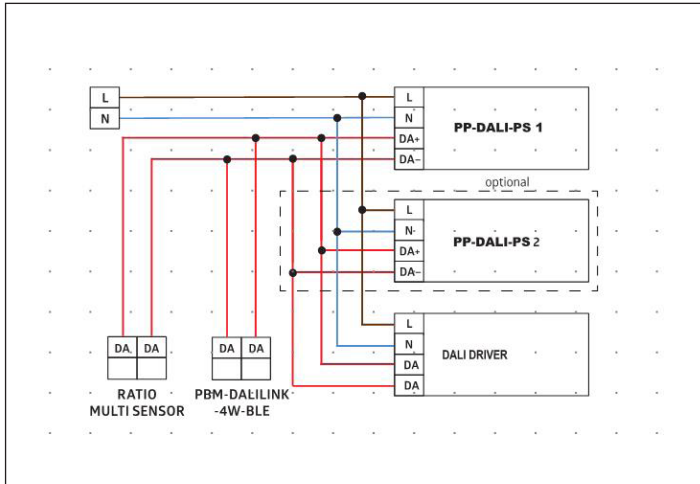
- Requires RATIO control devices. Minimum required controls are 1 sensor, 1 Bluetooth-enabled push button module (PBM), and 1 power supply
- Requires DALI 2.0 or 1.0 certified control gear devices (i.e. LED drivers, fluorescent ballasts) For compatibility with other control methods and integration (i.e. 0-10V analog, PWM, ELV, contact closure), please contact B.E.G. Controls for a solution and the required bill of material.
- Designed for indoor and dry locations
- Aesthetic virtually flat ceiling profile
- Visible dimensions from below ceiling: 0.03 inch / H 0.85 mm
- Photosensor included as a standard feature
- Spring clips for quick and easy installation in suspended ceilings and light fixtures
- Masking blinds and mounting collar included
- Set-up and programming is accomplished using our free RATIO Android or iOS app. Requires a Bluetooth-enabled phone or tablet by others. Contact B.E.G. Controls for list of compatible devices.
- ROHS and REACH compliant
- 5 years limited warranty
- Accessory snap-on trim rings are offered in standard or custom colors, or for field painting.

TECHNICAL DETAILS

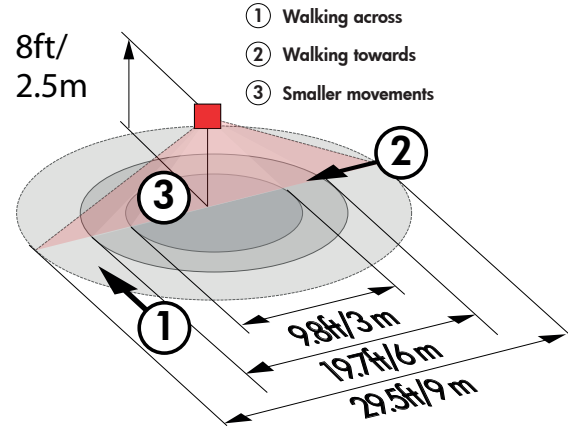
Operating voltage:	16 V DC from B.E.G. Controls RATIO power supply Class 2 Low Voltage
RATIO Bus Power consumption:	2 mA
Recommended height for mounting min.:	7 ft / 2.0 m
Recommended height for mounting max.:	16 ft / 5.0 m
Suitable Environment:	-13 °F to 122 °F / -25 °C to +50 °C, Non-Condensing

Housing:	UV- and shock resistant/flame retardant polycarbonate
Connections and wires:	16 - 14 AWG, solid copper recommended
Compliances:	UL 2043 plenum rated.
Follow-up time:	1 sec - 30 min
Partial Off:	5 - 100 % / 1 min - 20 min / ∞
Brightness set value:	1 – 250 fc / 10 - 2500 Lux

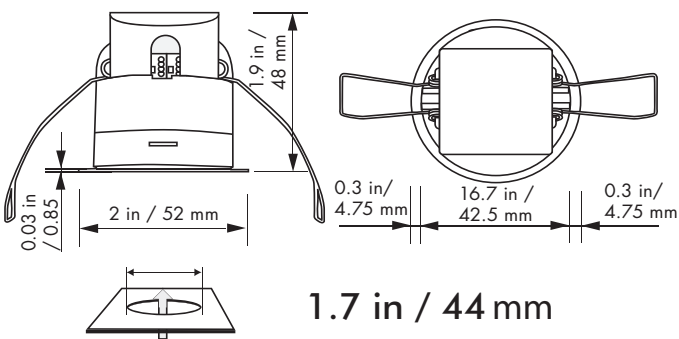
WIRING DIAGRAM



RANGE DIAGRAM



DIMENSIONS DRAWING



Note: Product specifications are subject to change without notice.
Please consult the B.E.G. Controls web site for the most recent product specifications.