



Project name:		Type
Catalog number:		
Location:		
Date:		
Comments:		

RATIO DALI Bus Power Supply PP-DALI-PS

ORDERING INFORMATION

Product Code	Description	Color	Part Number
PP-DALI-PS	RATIO DALI Bus Power Supply, 120-277V	Black	97228



TOP FEATURES

- DALI 2.0 and 1.0 compliant bus power supply for RATIO by B.E.G. Controls
- Power Pack style for standard junction box mounting through ½” trade size knockout
- Status and fault LED for easy troubleshooting
- Two PP-DALI-PS can be wired in parallel to increase bus power

DESCRIPTION

The PP-DALI-PS is a compact 120-277 VAC DALI bus power supply designed for use with B.E.G. Controls RATIO architectural scene control. The PP-DALI-PS output supplies 100 mA of 16 VDC DALI bus power, which is sufficient to support most RATIO applications. For complex RATIO applications requiring a larger number of DALI devices, a second PP-DALI-PS can be wired in parallel to increase the available DALI bus power to 200 mA total.

The PP-DALI-PS is plenum rated and includes two lock nuts to secure it through a ½” trade size knockout.

OPERATION

The PP-DALI-PS is supplied with line voltage and outputs a DALI voltage of typically 16 VDC and 100 mA of available bus power. Up to 25 DALI light fixtures and 6 RATIO control devices (multi sensors or push button interfaces) can be connected to a single power supply. Wiring a second power supply in parallel increases the available bus power to 200 mA, allowing up to 50 DALI light fixtures and 12 RATIO control devices.

Operating information is displayed via LEDs. The device offers integrated temperature monitoring and short circuit recognition. RATIO is programmed via Bluetooth using a smartphone and the B.E.G. BLE app. Please refer to the installation instruction/manual for a detailed description of functions and operation.

APPLICATIONS

■ Interior Applications:

Conference Rooms
Private Offices
Media Rooms
Lecture Halls
Hotel Ballrooms and Meeting Rooms

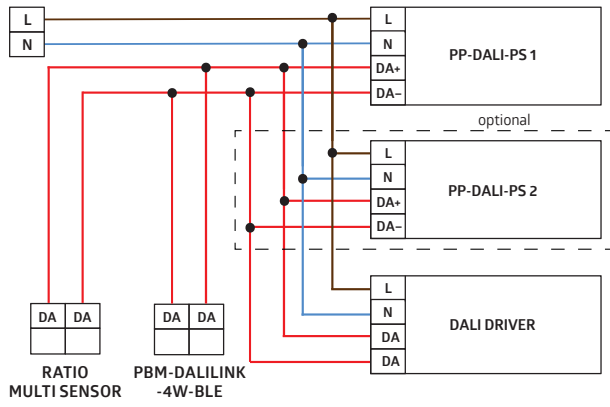
PRODUCT INFORMATION

- DALI bus power supply for use with RATIO architectural scene control components and DALI 2.0 or 1.0 compatible control gear devices (i.e. LED drivers, fluorescent ballasts)
- Requires RATIO controls and DALI compatible devices. Supports up to 100 mA bus power.
- A second PP-DALI-PS can be wired in parallel to provide an additional 100 mA bus power (for 200 mA total). Do not connect more than two PP-DALI-PS, or a PP-DALI-PS with a different DALI bus power supply, to a single DALI bus. This could result in permanent damage to the connected RATIO and DALI devices.
- Mounts on a standard junction box through a ½ inch trade size knockout. Two lock nuts included.
- Plenum rated
- Status and fault LED for easy troubleshooting
- Integral short circuit and thermal protection
- 5 years limited warranty
- ROHS and REACH compliant

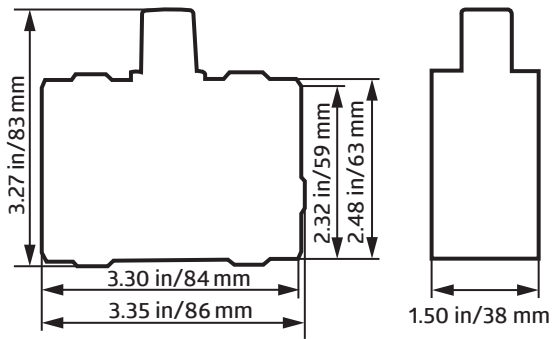
TECHNICAL DETAILS

Power Supply:	120-277 VAC ± 10%, 60 Hz
Power consumption:	3.3 W
DALI Output voltage:	typ. 16 V DC (UL Class II Low Voltage)
Maximum supply current:	100 mA
Operating temperature:	-13 °F to 122 °F/ -25 °C to +50 °C
Housing:	UV- and shock resistant 5VA material
Protection:	Suitable for indoor use and dry locations only, Non-Condensing
Pollution degree:	2
Control Action:	Type 1
Dimensions:	3.35 x 3.27 x 1.5 inch / 86 x 83 x 38 mm
Housing:	Polycarbonate + ABS Blend
Compliances:	ETL listed for the U.S. and Canada (UL STD 60730-1 and CSA STD E60730-1). UL 2043 plenum rated.

WIRING DIAGRAM



DIMENSIONS DRAWING



NOTE: PRODUCT SPECIFICATIONS ARE SUBJECT TO CHANGE WITHOUT NOTICE.
PLEASE CONSULT THE B.E.G. CONTROLS WEB SITE FOR THE MOST RECENT PRODUCT SPECIFICATIONS.