

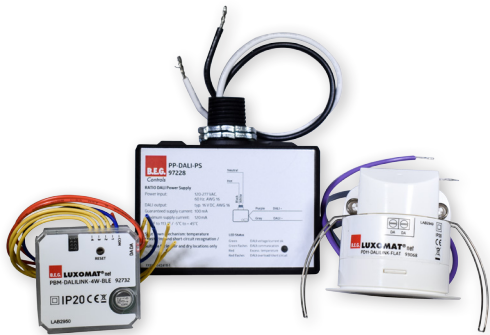


Project name:		Type
Catalog number:		
Location:		
Date:		
Comments:		

RATIO Architectural Scene Room Control

ORDERING INFORMATION

Product Code	Description	Color	Part Number
RATIO 10x10 ROOM KIT- BASIC	RATIO Room Control Kit, 120-277V, 1 FLAT, 1 PBM, 1 PS	White	49718
RATIO 10x20 ROOM KIT- BASIC	RATIO Room Control Kit, 120-277V, 2 FLAT, 2 PBM, 1 PS	White	49715
RATIO 10x10 ROOM KIT- STANDARD	RATIO Room Control Kit, 120-277V, 1 FLAT, 1 PBM, 1 PS, 1 4B Station	White	49717
RATIO 10x20 ROOM KIT- STANDARD	RATIO Room Control Kit, 120-277V, 2 FLAT, 2 PBM, 1 PS, 2 4B Station	White	49714
RATIO 10x10 ROOM KIT - STD W/RELAY	RATIO Room Control Kit, 120-277V, 2 FLAT, 1 PBM, 1 PSR w/ 16A relay, 1 4B Station	White	49716
RATIO 10x20 ROOM KIT - STD W/RELAY	RATIO Room Control Kit, 120-277V, 3 FLAT, 2 PBM, 1 PSR w/ 16A relay, 2 4B Station	White	49713
Components			
PBM-DALILINK-4W-BLE	RATIO Push Button Module w/ Bluetooth Interface	Clear	92732
PD11-DALILINK-FLAT	RATIO FLAT Primary/Secondary Multi-Sensor, PIR/Daylight, Recessed	White	93068
PSF-DALILINK	RATIO 100mA DALI Bus Power Supply, 120-277V- Fixture Mount Style	White	97084
PP-DALI-PS	RATIO 100mA DALI Bus Power Supply, 120-277V - Power Pack Style	Black	97228
PP-DALI-PSR	RATIO 100mA DALI Bus Power Supply, 120-277V with 16A Relay - Power Pack Style	Black	97217
RATIO-RELAYKIT-20A-120/277	RATIO Relay Control Kit, 20A, 120-277V. Suitable for Receptacle Control	Amber	49712
RATIO-LVRELAY-2A	RATIO Low Voltage Relay, 2A, Dry Contact, 30V AC/DC, NO/NC	Amber	97237



DESCRIPTION

RATIO, by B.E.G. Controls, is a true innovation in digital architectural scene room control. Only 3 control components are required to deliver robust and dynamic digital lighting control. The centerpiece of RATIO is the FLAT multi-sensor. Virtually flush at less than 1 mm depth, FLAT has impressive passive infrared motion detection range with daylight harvesting. Color trim rings are available to match the ceiling to make it practically invisible. A Bluetooth-enabled momentary push button module with four independently configurable button inputs lets you specify the wall station style you want, not just the limited choices normally offered. The RATIO power supply delivers 100 mA of bus power for controls and DALI devices. Setup is accomplished via an intuitive smartphone app, which can also be used for remote control. Start with a single wall control with 4 scenes, or add more push button modules for additional scenes, groups, or multiple entries. Add sensors to increase detection coverage or create separate daylighting and motion zones. A second power supply can be wired in parallel to increase the bus power to 200 mA total if needed. The PP-DALI-PS power supply and PP-DALI-PSR power supply with integral 16A relay are plenum rated and include two lock nuts to secure it through a ½" trade size knockout. An internal fixture-mount power supply (PSF-DALILINK) is also available, which is great for runs of modular architectural fixtures with integral sensors. RATIO is scalable, aesthetic, digital architectural scene control made simple.

TOP FEATURES

- Up to 16 scenes and 16 groups with all features from only 3 control components!
- Scalable and flexible for numerous applications. Specify a kit, or design to fit your requirements for sensor coverage and control points
- Features the virtually flush FLAT daylight/motion sensor
- Push button input module allows specification of any style of momentary contact wall station!
- Simple polarity-free control wiring
- Easy setup and remote control via secure Bluetooth and smartphone app!

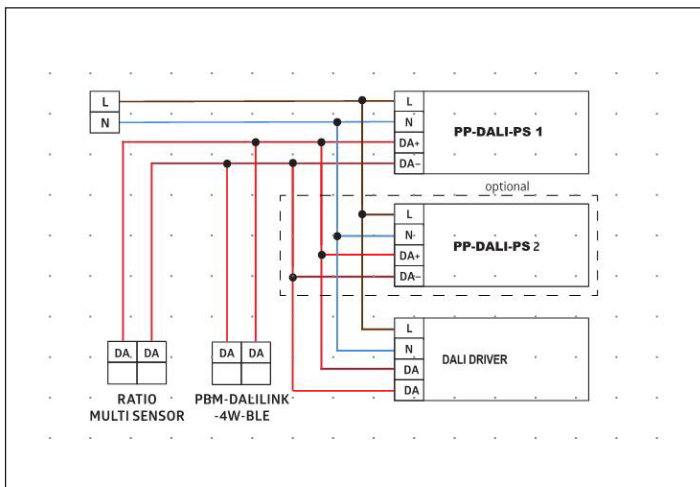
OPERATION

RATIO delivers robust and dynamic digital lighting control. Up to 16 scenes and 16 groups can be created with motion sensing and daylight harvesting, or keep it simple and just operate raise/lower and on/off in "broadcast" mode out of the box. If you're not sure or the needs of the space changes, you can simply reprogram it via the smartphone app. Simply install the light fixtures and RATIO controls, download the smartphone app, and then pair the phone with the push button module. Test the lights with a push button and if all is well, run through the wizards to complete the desired configuration. Don't worry about individual addresses; just scroll through the device list and assign them to groups and set scene levels. Sensors can be configured as motion, daylight, or both with various modes for auto-on/off, partial-on/off, or manual -on. Push button inputs can be configured to perform a variety of functions via a short press and long press. Relay modules are opened and closed by recalling scene levels 100% or 0, or toggle on/off commands. Please refer to the installation instruction/manual for a detailed description of functions and operation.

APPLICATIONS

- Conference Rooms
- Private Offices
- Media Rooms
- Lecture Halls
- Hotel Ballrooms and Meeting Rooms

WIRING DIAGRAM



PRODUCT INFORMATION

- Passive Infrared Motion detection (combined or independent of daylight regulation)
- Daylight Harvesting (combined or independent of motion control)
- Modes upon motion detection: Automatic On, Partial On, Manual On
- Modes upon vacancy: Automatic Off, Partial Off, Timed Partial Off to Automatic Off
- Up to 16 scenes recallable by PBM button or smartphone app
- Up to 16 groups controllable by either a PBM button or sensor
- PBM buttons individually configurable for both short press and long press actions
- Create "Follow Me" lighting groups to react as occupants move through sensor zones
- Simple setup and remote scene recall via smartphone app
- Two layers of security via required Bluetooth PIN pairing and scan of QR code on PBM to connect to RATIO via smartphone app
- Consult individual RATIO device tech sheets for detailed specifications and product features of each component
- Requires RATIO control devices. Minimum required controls are 1 sensor, 1 Bluetooth-enabled push button module (PBM), and 1 power supply
- Requires DALI 2.0 or 1.0 certified control gear devices (i.e. LED drivers, fluorescent ballasts) For compatibility with other control methods and integration (i.e. 0-10V analog, PWM, ELV, contact closure), please contact B.E.G. Controls for a solution and the required bill of material.
- A second RATIO power supply can be wired in parallel to provide an additional 100 mA bus power (for 200 mA total).
- RATIO DALI bus wire length 1,000 feet maximum. Minimum 16 AWG solid copper recommended. UL Class 2 Low Voltage.
- Up to 16 scenes and 16 groups can be created in a single RATIO room system. Scenes not assigned to push button inputs are still available to control via the smartphone app.
- Normally-open momentary dry contact closure buttons with a single common required for PBM inputs. Maximum of 4 buttons plus common per PBM.
- The smartphone app available for Apple iOS and Android. Requires a Bluetooth-enabled phone or tablet by others. Contact B.E.G. Controls for list of compatible devices.
- 5 years limited warranty
- ROHS and REACH compliant

Note: Product specifications are subject to change without notice.
Please consult the B.E.G. Controls web site for the most recent product specifications.